



AiP74HC/HCT40103

8-bit synchronous binary down counter

Product Specification

Specification Revision History:

Version	Date	Description
2012-11-A1	2012-11	New
2021-12-A2	2021-12	Modify Ordering Information
2023-04-B1	2023-04	Update the template



Contents

1、 General Description.....	3
2、 Block Diagram And Pin Description	6
2.1、 Block Diagram	6
2.2、 Pin Configurations.....	8
2.3、 Pin Description	8
2.4、 Function table.....	8
3、 Electrical Parameter	9
3.1、 Absolute Maximum Ratings.....	9
3.2、 Recommended Operating Conditions	9
3.3、 Electrical Characteristics	10
3.3.1、 DC Characteristics 1	10
3.3.2、 DC Characteristics 2	11
3.3.3、 DC Characteristics 3	12
3.3.4、 AC Characteristics 1	13
3.3.5、 AC Characteristics 2	15
3.3.6、 AC Characteristics 3	17
4、 Testing Circuit	19
4.1、 AC Testing Waveforms.....	19
4.2、 AC Testing Circuit	21
4.3、 Test Data	22
5、 Typical Application Circuit And Application Note.....	22
6、 Package Information	23
6.1、 DIP16	23
6.2、 SOP16	24
6.3、 TSSOP16.....	25
7、 Statements And Notes	26
7.1、 The name and content of Hazardous substances or Elements in the product	26
7.2、 Notes	26



1、 General Description

The AiP74HC/HCT40103 is an 8-bit synchronous down counter. It has control inputs for enabling or disabling the clock (CP), for clearing the counter to its maximum count and for presetting the counter either synchronously or asynchronously. In normal operation, the counter is decremented by one count on each positive-going transition of the clock (CP). Counting is inhibited when the terminal enable input (\overline{TE}) is HIGH. The terminal count output (\overline{TC}) goes LOW when the count reaches zero if \overline{TE} is LOW, and remains LOW for one full clock period. When the synchronous preset enable input (\overline{PE}) is LOW, data at the jam input (P0 to P7) is clocked into the counter on the next positive-going clock transition regardless of the state of \overline{TE} . When the asynchronous preset enable input (\overline{PL}) is LOW, data at the jam input (P0 to P7) is asynchronously forced into the counter regardless of the state of \overline{PE} , \overline{TE} , or CP. The jam inputs (P0 to P7) represent a single 8-bit binary word. When the master reset input (\overline{MR}) is LOW, the counter is asynchronously cleared to its maximum count (decimal 255) regardless of the state of any other input. If all control inputs except \overline{TE} are HIGH at the time of zero count, the counters will jump to the maximum count, giving a counting sequence of 256 clock pulses long. Device may be cascaded using the \overline{TE} input and the TC output, in either a synchronous or ripple mode. Inputs include clamp diodes. This enables the use of current limiting resistors to interface inputs to voltages in excess of V_{CC} .

Features:

- Cascadable
- Synchronous or asynchronous preset
- Low-power dissipation
- CMOS input levels
- Specified from -40°C to +125°C
- Packaging information: DIP16/SOP16/TSSOP16

**Ordering Information:****Tube packing specifications:**

Part number	Packaging form	Marking code	Tube quantity	Boxed tube quantity	Boxed quantity	Notes
AiP74HC40103DA16.TB	DIP16	74HC40103	25 PCS/tube	40 tube/box	1000 PCS/box	Dimensions of plastic enclosure: 19.0mm×6.4mm Pin spacing: 2.54mm
AiP74HCT40103DA16.TB	DIP16	74HCT40103	25 PCS/tube	40 tube/box	1000 PCS/box	Dimensions of plastic enclosure: 19.0mm×6.4mm Pin spacing: 2.54mm
AiP74HC40103SA16.TB	SOP16	74HC40103	50 PCS/tube	200 tube/box	10000 PCS/box	Dimensions of plastic enclosure: 10.0mm×3.9mm Pin spacing: 1.27mm
AiP74HCT40103SA16.TB	SOP16	74HCT40103	50 PCS/tube	200 tube/box	10000 PCS/box	Dimensions of plastic enclosure: 10.0mm×3.9mm Pin spacing: 1.27mm
AiP74HC40103TA16.TB	TSSOP16	74HC40103	96 PCS/tube	200 tube/box	19200 PCS/box	Dimensions of plastic enclosure: 5.0mm×4.4mm Pin spacing: 0.65mm
AiP74HCT40103TA16.TB	TSSOP16	74HCT40103	96 PCS/tube	200 tube/box	19200 PCS/box	Dimensions of plastic enclosure: 5.0mm×4.4mm Pin spacing: 0.65mm

**Reel packing specifications:**

Part number	Packaging form	Marking code	Reel quantity	Boxed reel quantity	Notes
AiP74HC40103SA16.TR	SOP16	74HC40103	4000 PCS/reel	8000 PCS/box	Dimensions of plastic enclosure: 10.0mm×3.9mm Pin spacing:1.27mm
AiP74HCT40103SA16.TR	SOP16	74HCT40103	4000 PCS/reel	8000 PCS/box	Dimensions of plastic enclosure: 10.0mm×3.9mm Pin spacing:1.27mm
AiP74HC40103TA16.TR	TSSOP16	74HC40103	5000 PCS/reel	10000 PCS/box	Dimensions of plastic enclosure: 5.0mm×4.4mm Pin spacing:0.65mm
AiP74HCT40103TA16.TR	TSSOP16	74HCT40103	5000 PCS/reel	10000 PCS/box	Dimensions of plastic enclosure: 5.0mm×4.4mm Pin spacing:0.65mm

Note: If the physical information is inconsistent with the ordering information, please refer to the actual product.



2、Block Diagram And Pin Description

2.1、Block Diagram

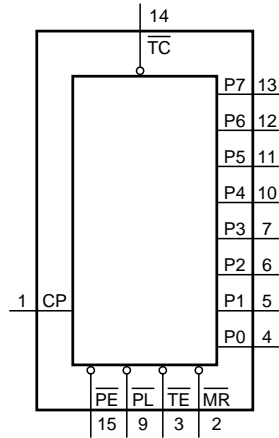


Figure 1. Functional diagram

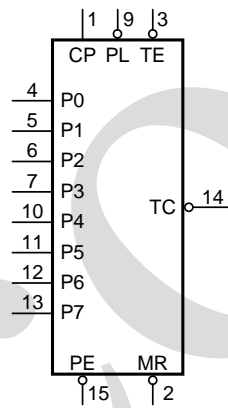


Figure 2. Logic symbol

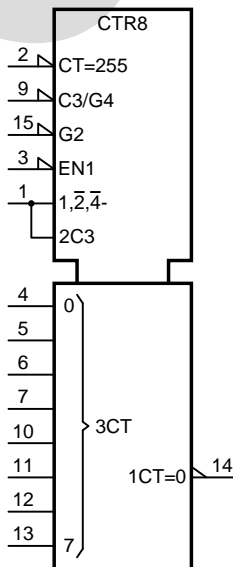


Figure 3. IEC logic symbol

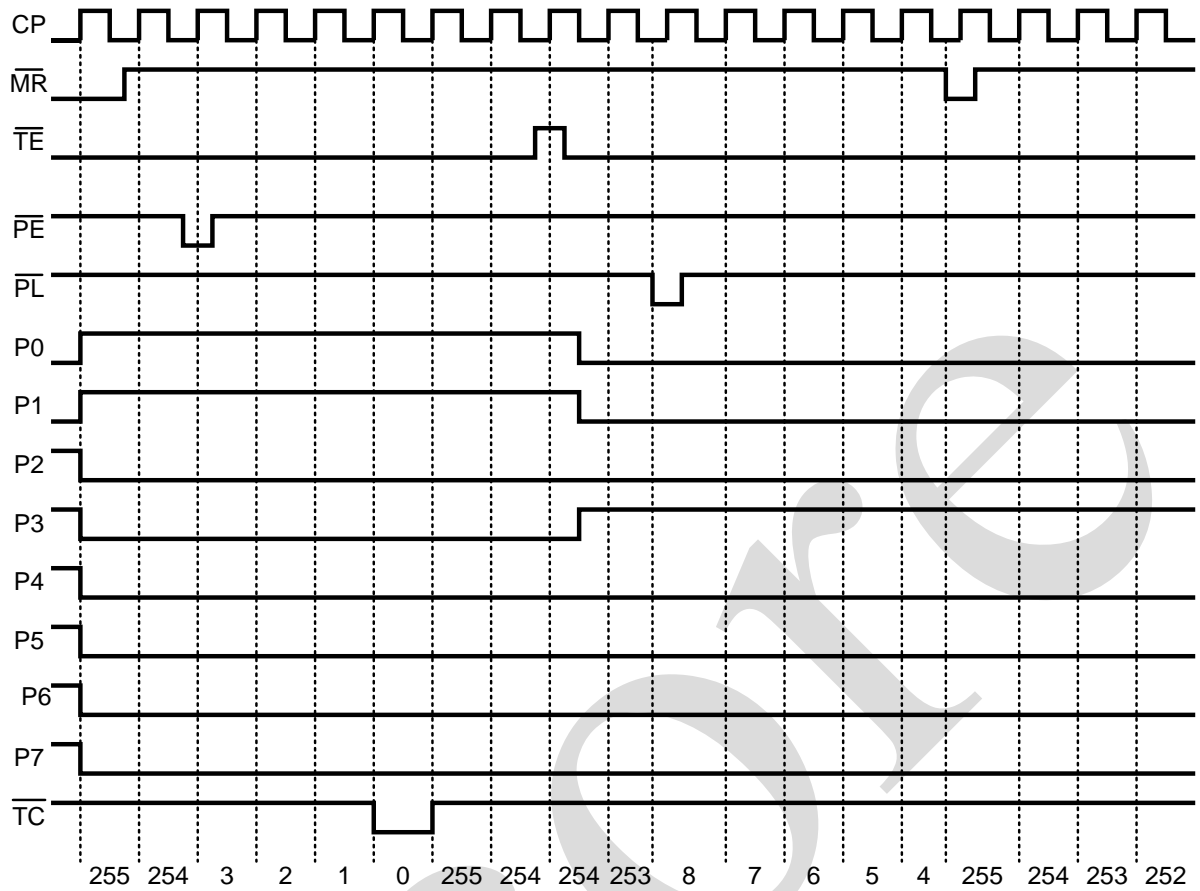


Figure 4. Timing diagram

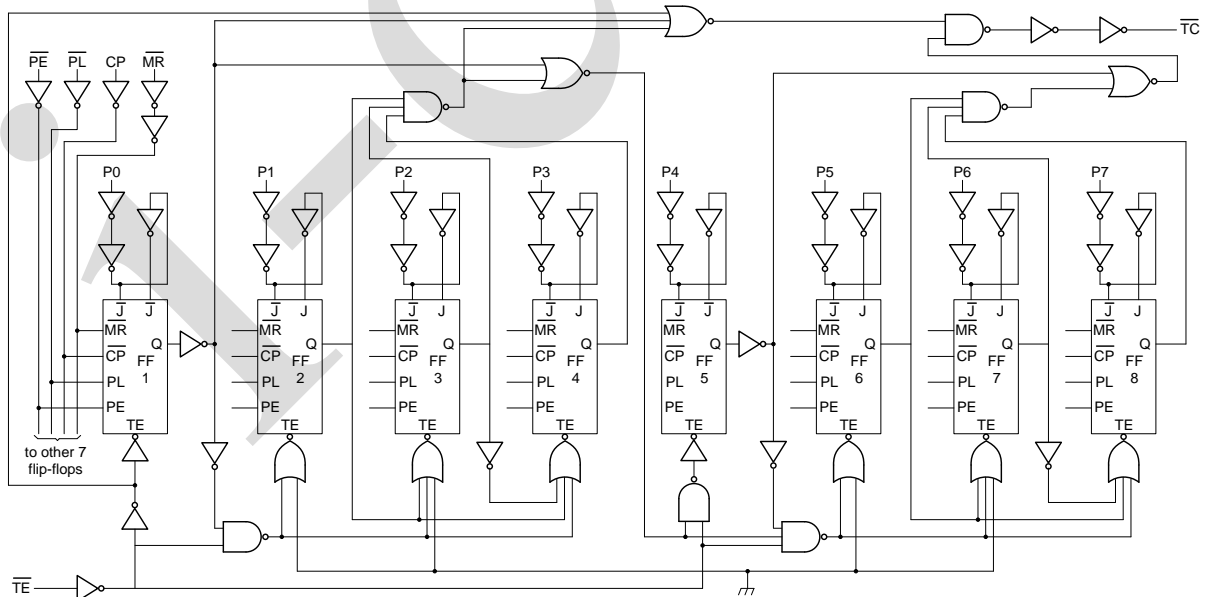
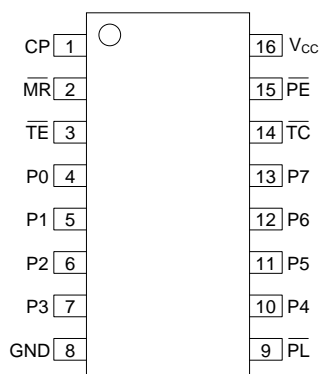


Figure 5. Logic diagram



2.2、Pin Configurations



2.3、Pin Description

Pin No.	Pin Name	Description
1	CP	clock input (LOW-to-HIGH, edge-triggered)
2	$\overline{\text{MR}}$	asynchronous master reset input (active LOW)
3	$\overline{\text{TE}}$	terminal enable input (active LOW)
4	P0	jam input 0
5	P1	jam input 1
6	P2	jam input 2
7	P3	jam input 3
8	GND	ground (0 V)
9	$\overline{\text{PL}}$	asynchronous preset enable input (active LOW)
10	P4	jam input 4
11	P5	jam input 5
12	P6	jam input 6
13	P7	jam input 7
14	$\overline{\text{TC}}$	terminal count output (active LOW)
15	$\overline{\text{PE}}$	synchronous preset enable input (active LOW)
16	V _{CC}	positive supply voltage

2.4、Function table

Control inputs				Preset mode	Action	
$\overline{\text{MR}}$	$\overline{\text{PL}}$	$\overline{\text{PE}}$	$\overline{\text{TE}}$			
L	X	X	X	asynchronous	clear to maximum count	
H	L	X	X	asynchronous	preset asynchronously	
	H	L	X	synchronous	preset on next LOW-to HIGH clock transition	
		H	L	H	synchronous	count down
			H	H	synchronous	inhibit counter

Note:

H=HIGH voltage level; L=LOW voltage level; X=don't care.

Clock connected to CP.

Synchronous operation: changes occur on the LOW-to-HIGH CP transition.

Jam inputs: MSD=P7, LSD=P0.



3、Electrical Parameter

3.1、Absolute Maximum Ratings

($T_{amb}=25^{\circ}\text{C}$, voltage are referenced to GND (ground=0V), unless otherwise specified)

Characteristic	Symbol	Conditions	Min.	Max.	Unit
supply voltage	V_{CC}	-	-0.5	+7.0	V
input clamping current	I_{IK}	$V_I < -0.5\text{V}$ or $V_I > V_{CC} + 0.5\text{V}^{[1]}$	-	± 20	mA
output clamping current	I_{OK}	$V_O < -0.5\text{V}$ or $V_O > V_{CC} + 0.5\text{V}^{[1]}$	-	± 20	mA
output current	I_O	$V_O = -0.5\text{V}$ to $V_{CC} + 0.5\text{V}$	-	± 25	mA
supply current	I_{CC}	-	-	+50	mA
ground current	I_{GND}	-	-50	-	mA
storage temperature	T_{stg}	-	-65	+150	$^{\circ}\text{C}$
total power dissipation	P_{tot}	-	-	500	mW
soldering temperature	T_L	10s	DIP	245	$^{\circ}\text{C}$
			SOP/TSSOP	260	$^{\circ}\text{C}$

Note:

[1] The input and output voltage ratings may be exceeded if the input and output current ratings are observed.

3.2、Recommended Operating Conditions

Parameter	Symbol	Conditions	Min.	Typ.	Max.	Unit
AiP74HC40103						
supply voltage	V_{CC}	-	2.0	5.0	6.0	V
input voltage	V_I	-	0	-	V_{CC}	V
output voltage	V_O	-	0	-	V_{CC}	V
input transition rise and fall rate	$\Delta t/\Delta V$	$V_{CC}=2.0\text{V}$	-	-	625	ns/V
		$V_{CC}=4.5\text{V}$	-	1.67	139	ns/V
		$V_{CC}=6.0\text{V}$	-	-	83	ns/V
ambient temperature	T_{amb}	-	-40	-	+125	$^{\circ}\text{C}$
AiP74HCT40103						
supply voltage	V_{CC}	-	4.5	5.0	5.5	V
input voltage	V_I	-	0	-	V_{CC}	V
output voltage	V_O	-	0	-	V_{CC}	V
input transition rise and fall rate	$\Delta t/\Delta V$	$V_{CC}=2.0\text{V}$	-	-	625	ns/V
		$V_{CC}=4.5\text{V}$	-	1.67	139	ns/V
		$V_{CC}=6.0\text{V}$	-	-	83	ns/V
ambient temperature	T_{amb}	-	-40	-	+125	$^{\circ}\text{C}$



3.3、Electrical Characteristics

3.3.1、DC Characteristics 1

($T_{amb}=25^{\circ}C$, voltages are referenced to GND (ground=0V), unless otherwise specified.)

Parameter	Symbol	Conditions	Min.	Typ.	Max.	Unit	
AiP74HC40103							
HIGH-level input voltage	V_{IH}	$V_{CC}=2.0V$	1.5	1.2	-	V	
		$V_{CC}=4.5V$	3.15	2.4	-	V	
		$V_{CC}=6.0V$	4.2	3.2	-	V	
LOW-level input voltage	V_{IL}	$V_{CC}=2.0V$	-	0.8	0.5	V	
		$V_{CC}=4.5V$	-	2.1	1.35	V	
		$V_{CC}=6.0V$	-	2.8	1.8	V	
HIGH-level output voltage	V_{OH}	$V_I=V_{IH}$ or V_{IL}	$I_O=-20\mu A; V_{CC}=2.0V$	1.9	2.0	-	V
			$I_O=-20\mu A; V_{CC}=4.5V$	4.4	4.5	-	V
			$I_O=-20\mu A; V_{CC}=6.0V$	5.9	6.0	-	V
			$I_O=-4.0mA; V_{CC}=4.5V$	3.98	4.32	-	V
			$I_O=-5.2mA; V_{CC}=6.0V$	5.48	5.81	-	V
LOW-level output voltage	V_{OL}	$V_I=V_{IH}$ or V_{IL}	$I_O=20\mu A; V_{CC}=2.0V$	-	0	0.1	V
			$I_O=20\mu A; V_{CC}=4.5V$	-	0	0.1	V
			$I_O=20\mu A; V_{CC}=6.0V$	-	0	0.1	V
			$I_O=4.0mA; V_{CC}=4.5V$	-	0.15	0.26	V
			$I_O=5.2mA; V_{CC}=6.0V$	-	0.16	0.26	V
input leakage current	I_I	$V_I=V_{CC}$ or GND; $V_{CC}=6.0V$	-	-	± 1.0	μA	
supply current	I_{CC}	$V_I=V_{CC}$ or GND; $I_O=0A; V_{CC}=6.0V$	-	-	8.0	μA	
input capacitance	C_I	-	-	3.5	-	pF	
AiP74HCT40103							
HIGH-level input voltage	V_{IH}	$V_{CC}=4.5V$ to $5.5V$	2.0	1.6	-	V	
LOW-level input voltage	V_{IL}	$V_{CC}=4.5V$ to $5.5V$	-	1.2	0.8	V	
HIGH-level output voltage	V_{OH}	$V_I=V_{IH}$ or $V_{IL}; V_{CC}=4.5V$	$I_O=-20\mu A$	4.4	4.5	-	V
			$I_O=-4.0mA$	3.98	4.32	-	V
LOW-level output voltage	V_{OL}	$V_I=V_{IH}$ or $V_{IL}; V_{CC}=4.5V$	$I_O=20\mu A$	-	0	0.1	V
			$I_O=4.0mA$	-	0.15	0.26	V
input leakage current	I_I	$V_I=V_{CC}$ or GND; $V_{CC}=5.5V$	-	-	± 1.0	μA	
supply current	I_{CC}	$V_I=V_{CC}$ or GND; $I_O=0A; V_{CC}=5.5V$	-	-	8.0	μA	
additional supply current	ΔI_{CC}	$V_I=V_{CC}-2.1V;$ other inputs at V_{CC} or GND; $I_O=0A;$ $V_{CC}=4.5V$ to $5.5V$	pin \overline{MR}	-	110	396	μA
			pin CP	-	85	306	μA
input capacitance	C_I	-	-	3.5	-	pF	



3.3.2、DC Characteristics 2

($T_{amb}=-40^{\circ}\text{C}$ to $+85^{\circ}\text{C}$, voltages are referenced to GND (ground=0V), unless otherwise specified.)

Parameter	Symbol	Conditions	Min.	Typ.	Max.	Unit	
AiP74HC40103							
HIGH-level input voltage	V_{IH}	$V_{CC}=2.0\text{V}$	1.5	-	-	V	
		$V_{CC}=4.5\text{V}$	3.15	-	-	V	
		$V_{CC}=6.0\text{V}$	4.2	-	-	V	
LOW-level input voltage	V_{IL}	$V_{CC}=2.0\text{V}$	-	-	0.5	V	
		$V_{CC}=4.5\text{V}$	-	-	1.35	V	
		$V_{CC}=6.0\text{V}$	-	-	1.8	V	
HIGH-level output voltage	V_{OH}	$V_I=V_{IH}$ or V_{IL}	$I_O=-20\mu\text{A}; V_{CC}=2.0\text{V}$	1.9	-	-	V
			$I_O=-20\mu\text{A}; V_{CC}=4.5\text{V}$	4.4	-	-	V
			$I_O=-20\mu\text{A}; V_{CC}=6.0\text{V}$	5.9	-	-	V
			$I_O=-4.0\text{mA}; V_{CC}=4.5\text{V}$	3.84	-	-	V
			$I_O=-5.2\text{mA}; V_{CC}=6.0\text{V}$	5.34	-	-	V
LOW-level output voltage	V_{OL}	$V_I=V_{IH}$ or V_{IL}	$I_O=20\mu\text{A}; V_{CC}=2.0\text{V}$	-	-	0.1	V
			$I_O=20\mu\text{A}; V_{CC}=4.5\text{V}$	-	-	0.1	V
			$I_O=20\mu\text{A}; V_{CC}=6.0\text{V}$	-	-	0.1	V
			$I_O=4.0\text{mA}; V_{CC}=4.5\text{V}$	-	-	0.33	V
			$I_O=5.2\text{mA}; V_{CC}=6.0\text{V}$	-	-	0.33	V
input leakage current	I_I	$V_I=V_{CC}$ or GND; $V_{CC}=6.0\text{V}$	-	-	± 1.0	μA	
supply current	I_{CC}	$V_I=V_{CC}$ or GND; $I_O=0\text{A}; V_{CC}=6.0\text{V}$	-	-	80	μA	
AiP74HCT40103							
HIGH-level input voltage	V_{IH}	$V_{CC}=4.5\text{V}$ to 5.5V	2.0	-	-	V	
LOW-level input voltage	V_{IL}	$V_{CC}=4.5\text{V}$ to 5.5V	-	-	0.8	V	
HIGH-level output voltage	V_{OH}	$V_I=V_{IH}$ or $V_{IL}; V_{CC}=4.5\text{V}$	$I_O=-20\mu\text{A}$	4.4	-	-	V
			$I_O=-4.0\text{mA}$	3.84	-	-	V
LOW-level output voltage	V_{OL}	$V_I=V_{IH}$ or $V_{IL}; V_{CC}=4.5\text{V}$	$I_O=20\mu\text{A}$	-	-	0.1	V
			$I_O=4.0\text{mA}$	-	-	0.33	V
input leakage current	I_I	$V_I=V_{CC}$ or GND; $V_{CC}=5.5\text{V}$	-	-	± 1.0	μA	
supply current	I_{CC}	$V_I=V_{CC}$ or GND; $I_O=0\text{A}; V_{CC}=5.5\text{V}$	-	-	80	μA	
additional supply current	ΔI_{CC}	$V_I=V_{CC}-2.1\text{V};$ other inputs at V_{CC} or GND; $I_O=0\text{A};$ $V_{CC}=4.5\text{V}$ to 5.5V	pin $\overline{\text{MR}}$	-	-	495	μA
			pin CP	-	-	383	μA
input capacitance	C_I	-	-	-	-	pF	



3.3.3、DC Characteristics 3

($T_{amb}=-40^{\circ}\text{C}$ to $+125^{\circ}\text{C}$, voltages are referenced to GND (ground=0V), unless otherwise specified.)

Parameter	Symbol	Conditions	Min.	Typ.	Max.	Unit	
AiP74HC40103							
HIGH-level input voltage	V_{IH}	$V_{CC}=2.0\text{V}$	1.5	-	-	V	
		$V_{CC}=4.5\text{V}$	3.15	-	-	V	
		$V_{CC}=6.0\text{V}$	4.2	-	-	V	
LOW-level input voltage	V_{IL}	$V_{CC}=2.0\text{V}$	-	-	0.5	V	
		$V_{CC}=4.5\text{V}$	-	-	1.35	V	
		$V_{CC}=6.0\text{V}$	-	-	1.8	V	
HIGH-level output voltage	V_{OH}	$V_I=V_{IH}$ or V_{IL}	$I_O=-20\mu\text{A}; V_{CC}=2.0\text{V}$	1.9	-	-	V
			$I_O=-20\mu\text{A}; V_{CC}=4.5\text{V}$	4.4	-	-	V
			$I_O=-20\mu\text{A}; V_{CC}=6.0\text{V}$	5.9	-	-	V
			$I_O=-4.0\text{mA}; V_{CC}=4.5\text{V}$	3.7	-	-	V
			$I_O=-5.2\text{mA}; V_{CC}=6.0\text{V}$	5.2	-	-	V
LOW-level output voltage	V_{OL}	$V_I=V_{IH}$ or V_{IL}	$I_O=20\mu\text{A}; V_{CC}=2.0\text{V}$	-	-	0.1	V
			$I_O=20\mu\text{A}; V_{CC}=4.5\text{V}$	-	-	0.1	V
			$I_O=20\mu\text{A}; V_{CC}=6.0\text{V}$	-	-	0.1	V
			$I_O=4.0\text{mA}; V_{CC}=4.5\text{V}$	-	-	0.4	V
			$I_O=5.2\text{mA}; V_{CC}=6.0\text{V}$	-	-	0.4	V
input leakage current	I_I	$V_I=V_{CC}$ or GND; $V_{CC}=6.0\text{V}$	-	-	± 1.0	μA	
supply current	I_{CC}	$V_I=V_{CC}$ or GND; $I_O=0\text{A}; V_{CC}=6.0\text{V}$	-	-	160	μA	
AiP74HCT40103							
HIGH-level input voltage	V_{IH}	$V_{CC}=4.5\text{V}$ to 5.5V	2.0	-	-	V	
LOW-level input voltage	V_{IL}	$V_{CC}=4.5\text{V}$ to 5.5V	-	-	0.8	V	
HIGH-level output voltage	V_{OH}	$V_I=V_{IH}$ or $V_{IL}; V_{CC}=4.5\text{V}$	$I_O=-20\mu\text{A}$	4.4	-	-	V
			$I_O=-4.0\text{mA}$	3.7	-	-	V
LOW-level output voltage	V_{OL}	$V_I=V_{IH}$ or $V_{IL}; V_{CC}=4.5\text{V}$	$I_O=20\mu\text{A}$	-	-	0.1	V
			$I_O=4.0\text{mA}$	-	-	0.4	V
input leakage current	I_I	$V_I=V_{CC}$ or GND; $V_{CC}=5.5\text{V}$	-	-	± 1.0	μA	
supply current	I_{CC}	$V_I=V_{CC}$ or GND; $I_O=0\text{A}; V_{CC}=5.5\text{V}$	-	-	160	μA	
additional supply current	ΔI_{CC}	$V_I=V_{CC}-2.1\text{V};$ other inputs at V_{CC} or GND; $I_O=0\text{A};$ $V_{CC}=4.5\text{V}$ to 5.5V	pin $\overline{\text{MR}}$	-	-	539	μA
			pin CP	-	-	417	μA
input capacitance	C_I	-	-	-	-	pF	



3.3.4、AC Characteristics 1

($T_{amb}=25^{\circ}C$, $GND=0V$; $t_r=t_f=6\text{ ns}$; $C_L=50\text{ pF}$, unless otherwise specified)

Parameter	Symbol	Conditions	Min.	Typ.	Max.	Unit			
AiP74HC40103									
propagation delay	t_{pd}	\overline{CP} to \overline{TC} ; see Figure 6 ^[1]	$V_{CC}=2.0V$	-	96	300	ns		
			$V_{CC}=4.5V$	-	35	60	ns		
			$V_{CC}=5.0V$; $C_L=15pF$	-	30	-	ns		
				\overline{TE} to \overline{TC} ; see Figure 7	$V_{CC}=2.0V$	-	50	175	ns
					$V_{CC}=4.5V$	-	18	35	ns
					$V_{CC}=6.0V$	-	14	30	ns
				\overline{PL} to \overline{TC} ; see Figure 8	$V_{CC}=2.0V$	-	102	315	ns
					$V_{CC}=4.5V$	-	37	63	ns
					$V_{CC}=6.0V$	-	30	53	ns
HIGH to LOW propagation delay	t_{PHL}	\overline{MR} to \overline{TC} ; see Figure 8	$V_{CC}=2.0V$	-	83	275	ns		
			$V_{CC}=4.5V$	-	30	55	ns		
			$V_{CC}=6.0V$	-	24	47	ns		
transition time	t_t	see Figure 7 ^[2]	$V_{CC}=2.0V$	-	19	75	ns		
			$V_{CC}=4.5V$	-	7	15	ns		
			$V_{CC}=6.0V$	-	6	13	ns		
pulse width	t_w	CP HIGH or LOW; see Figure 6	$V_{CC}=2.0V$	165	22	-	ns		
			$V_{CC}=4.5V$	33	8	-	ns		
			$V_{CC}=6.0V$	28	6	-	ns		
				\overline{MR} LOW; see Figure 8	$V_{CC}=2.0V$	125	39	-	ns
					$V_{CC}=4.5V$	25	14	-	ns
					$V_{CC}=6.0V$	21	11	-	ns
				\overline{PL} LOW; see Figure 8	$V_{CC}=2.0V$	125	33	-	ns
					$V_{CC}=4.5V$	25	12	-	ns
					$V_{CC}=6.0V$	21	10	-	ns
recovery time	t_{rec}	\overline{MR} to CP, \overline{PL} to CP; see Figure 9	$V_{CC}=2.0V$	100	-	-	ns		
			$V_{CC}=4.5V$	20	-	-	ns		
			$V_{CC}=6.0V$	18	-	-	ns		
set-up time	t_{su}	\overline{PE} to CP; see Figure 10	$V_{CC}=2.0V$	75	-	-	ns		
			$V_{CC}=4.5V$	15	-	-	ns		
			$V_{CC}=6.0V$	13	-	-	ns		
				\overline{TE} to CP; see Figure 11	$V_{CC}=2.0V$	150	-	-	ns
					$V_{CC}=4.5V$	30	-	-	ns
					$V_{CC}=6.0V$	26	-	-	ns
				Pn to CP; see Figure 10	$V_{CC}=2.0V$	75	-	-	ns
					$V_{CC}=4.5V$	15	-	-	ns
					$V_{CC}=6.0V$	13	-	-	ns
hold time	t_h	\overline{PE} to CP; see Figure 10	$V_{CC}=2.0V$	0	-	-	ns		
			$V_{CC}=4.5V$	0	-	-	ns		
			$V_{CC}=6.0V$	0	-	-	ns		
				\overline{TE} to CP;	$V_{CC}=2.0V$	0	-	-	ns



		see Figure 11	$V_{CC}=4.5V$	0	-	-	ns
			$V_{CC}=6.0V$	0	-	-	ns
		Pn to CP; see Figure 10	$V_{CC}=2.0V$	0	-	-	ns
			$V_{CC}=4.5V$	0	-	-	ns
			$V_{CC}=6.0V$	0	-	-	ns
maximum frequency	f_{max}	see Figure 6	$V_{CC}=2.0V$	3.0	10	-	MHz
			$V_{CC}=4.5V$	15	29	-	MHz
			$V_{CC}=5.0V; C_L=15pF$	-	32	-	MHz
			$V_{CC}=6.0V$	18	35	-	MHz
power dissipation capacitance	C_{PD}	$V_I=GND$ to $V_{CC}^{[3]}$		-	24	-	pF
AiP74HCT40103							
propagation delay	t_{pd}	CP to \overline{TC} ; see Figure 6 ^[1]	$V_{CC}=4.5V$	-	35	60	ns
		\overline{TE} to \overline{TC} ; see Figure 7	$V_{CC}=4.5V$	-	23	40	ns
		\overline{PL} to \overline{TC} ; see Figure 8	$V_{CC}=4.5V$	-	44	75	ns
HIGH to LOW propagation delay	t_{PHL}	\overline{MR} to \overline{TC} ; see Figure 8	$V_{CC}=4.5V$	-	29	55	ns
transition time	t_t	see Figure 7 ^[2]	$V_{CC}=4.5V$	-	7	15	ns
pulse width	t_w	CP HIGH or LOW; see Figure 6	$V_{CC}=4.5V$	33	10	-	ns
		\overline{MR} LOW; see Figure 8	$V_{CC}=4.5V$	30	16	-	ns
		\overline{PL} LOW; see Figure 8	$V_{CC}=4.5V$	38	22	-	ns
recovery time	t_{rec}	\overline{MR} to CP, \overline{PL} to CP; see Figure 9	$V_{CC}=4.5V$	20	-	-	ns
set-up time	t_{su}	\overline{PE} to CP; see Figure 10	$V_{CC}=4.5V$	20	-	-	ns
		\overline{TE} to CP; see Figure 11	$V_{CC}=4.5V$	40	-	-	ns
		Pn to CP; see Figure 10	$V_{CC}=4.5V$	20	-	-	ns
hold time	t_h	\overline{PE} to CP; see Figure 10	$V_{CC}=4.5V$	2	-	-	ns
		\overline{TE} to CP; see Figure 11	$V_{CC}=4.5V$	0	-	-	ns
		Pn to CP; see Figure 10	$V_{CC}=4.5V$	0	-	-	ns
maximum frequency	f_{max}	see Figure 6;	$V_{CC}=4.5V$	15	28	-	MHz

Note:



[1] t_{pd} is the same as t_{PHL} , t_{PLH} .

[2] t_t is the same as t_{THL} , t_{TLH} .

[3] C_{PD} is used to determine the dynamic power dissipation (P_D in uW).

$P_D = C_{PD} \times V_{CC}^2 \times f_i \times N + \sum(C_L \times V_{CC}^2 \times f_o)$ where:

f_i =input frequency in MHz;

f_o =output frequency in MHz;

C_L =output load capacitance in pF;

V_{CC} =supply voltage in V;

N =number of inputs switching;

$\sum(C_L \times V_{CC}^2 \times f_o)$ =sum of outputs.

3.3.5、AC Characteristics 2

($T_{amb} = -40^\circ\text{C}$ to $+85^\circ\text{C}$, $GND = 0V$; $t_r = t_f = 6$ ns; $C_L = 50$ pF, unless otherwise specified)

Parameter	Symbol	Conditions	Min.	Typ.	Max.	Unit	
AiP74HC40103							
propagation delay	t_{pd}	\overline{CP} to \overline{TC} ; see Figure 6 ^[1]	$V_{CC} = 2.0V$	-	-	375	ns
			$V_{CC} = 4.5V$	-	-	75	ns
			$V_{CC} = 6.0V$	-	-	64	ns
		\overline{TE} to \overline{TC} ; see Figure 7	$V_{CC} = 2.0V$	-	-	220	ns
			$V_{CC} = 4.5V$	-	-	44	ns
			$V_{CC} = 6.0V$	-	-	37	ns
		\overline{PL} to \overline{TC} ; see Figure 8	$V_{CC} = 2.0V$	-	-	395	ns
			$V_{CC} = 4.5V$	-	-	79	ns
			$V_{CC} = 6.0V$	-	-	40	ns
HIGH to LOW propagation delay	t_{PHL}	\overline{MR} to \overline{TC} ; see Figure 8	$V_{CC} = 2.0V$	-	-	345	ns
			$V_{CC} = 4.5V$	-	-	69	ns
			$V_{CC} = 6.0V$	-	-	59	ns
transition time	t_t	see Figure 7 ^[2]	$V_{CC} = 2.0V$	-	-	95	ns
			$V_{CC} = 4.5V$	-	-	19	ns
			$V_{CC} = 6.0V$	-	-	16	ns
pulse width	t_w	\overline{CP} HIGH or LOW; see Figure 6	$V_{CC} = 2.0V$	205	-	-	ns
			$V_{CC} = 4.5V$	41	-	-	ns
			$V_{CC} = 6.0V$	35	-	-	ns
		\overline{MR} LOW; see Figure 8	$V_{CC} = 2.0V$	155	-	-	ns
			$V_{CC} = 4.5V$	31	-	-	ns
			$V_{CC} = 6.0V$	26	-	-	ns
		\overline{PL} LOW; see Figure 8	$V_{CC} = 2.0V$	155	-	-	ns
			$V_{CC} = 4.5V$	31	-	-	ns
			$V_{CC} = 6.0V$	26	-	-	ns
recovery time	t_{rec}	\overline{MR} to \overline{CP} , \overline{PL} to \overline{CP} ; see Figure 9	$V_{CC} = 2.0V$	120	-	-	ns
			$V_{CC} = 4.5V$	24	-	-	ns
			$V_{CC} = 6.0V$	22	-	-	ns
set-up time	t_{su}	\overline{PE} to \overline{CP} ; see Figure 10	$V_{CC} = 2.0V$	95	-	-	ns
			$V_{CC} = 4.5V$	19	-	-	ns



		\overline{T} Eto CP; see Figure 11	$V_{CC}=6.0V$	16	-	-	ns
			$V_{CC}=2.0V$	190	-	-	ns
			$V_{CC}=4.5V$	38	-	-	ns
			$V_{CC}=6.0V$	33	-	-	ns
		Pn to CP; see Figure 10	$V_{CC}=2.0V$	95	-	-	ns
			$V_{CC}=4.5V$	19	-	-	ns
$V_{CC}=6.0V$	16		-	-	ns		
hold time	t_h	\overline{P} Eto CP; see Figure 10	$V_{CC}=2.0V$	0	-	-	ns
			$V_{CC}=4.5V$	0	-	-	ns
			$V_{CC}=6.0V$	0	-	-	ns
		\overline{T} Eto CP; see Figure 11	$V_{CC}=2.0V$	0	-	-	ns
			$V_{CC}=4.5V$	0	-	-	ns
			$V_{CC}=6.0V$	0	-	-	ns
		Pn to CP; see Figure 10	$V_{CC}=2.0V$	0	-	-	ns
			$V_{CC}=4.5V$	0	-	-	ns
			$V_{CC}=6.0V$	0	-	-	ns
maximum frequency	f_{max}	see Figure 6	$V_{CC}=2.0V$	2.4	-	-	MHz
			$V_{CC}=4.5V$	12	-	-	MHz
			$V_{CC}=6.0V$	14	-	-	MHz
AiP74HCT40103							
propagation delay	t_{pd}	CP to \overline{T} C; see Figure 6 ^[1]	$V_{CC}=4.5V$	-	-	75	ns
		\overline{T} Eto \overline{T} C; see Figure 7	$V_{CC}=4.5V$	-	-	50	ns
		\overline{P} L to \overline{T} C; see Figure 8	$V_{CC}=4.5V$	-	-	94	ns
HIGH to LOW propagation delay	t_{PHL}	\overline{M} R to \overline{T} C; see Figure 8	$V_{CC}=4.5V$	-	-	69	ns
transition time	t_t	see Figure 7 ^[2]	$V_{CC}=4.5V$	-	-	19	ns
pulse width	t_w	CP HIGH or LOW; see Figure 6	$V_{CC}=4.5V$	41	-	-	ns
		\overline{M} R LOW; see Figure 8	$V_{CC}=4.5V$	38	-	-	ns
		\overline{P} LLOW; see Figure 8	$V_{CC}=4.5V$	48	-	-	ns
recovery time	t_{rec}	\overline{M} R to CP, \overline{P} L to CP; see Figure 9	$V_{CC}=4.5V$	24	-	-	ns
set-up time	t_{su}	\overline{P} Eto CP; see Figure 10	$V_{CC}=4.5V$	25	-	-	ns
		\overline{T} Eto CP; see Figure 11	$V_{CC}=4.5V$	50	-	-	ns
		Pn to CP; see Figure 10	$V_{CC}=4.5V$	25	-	-	ns
hold time	t_h	\overline{P} Eto CP; see Figure 10	$V_{CC}=4.5V$	2	-	-	ns



		$\overline{\text{T E}}$ to CP; see Figure 11	$V_{CC}=4.5V$	0	-	-	ns
		Pn to CP; see Figure 10	$V_{CC}=4.5V$	0	-	-	ns
maximum frequency	f_{max}	see Figure 6;	$V_{CC}=4.5V$	12	-	-	MHz

Note:

[1] t_{pd} is the same as t_{PHL} , t_{PLH} .[2] t_t is the same as t_{THL} , t_{TLH} .[3] C_{PD} is used to determine the dynamic power dissipation (P_D in uW). $P_D=C_{PD} \times V_{CC}^2 \times f_i \times N + \sum(C_L \times V_{CC}^2 \times f_o)$ where: f_i =input frequency in MHz; f_o =output frequency in MHz; C_L =output load capacitance in pF; V_{CC} =supply voltage in V;

N=number of inputs switching;

 $\sum(C_L \times V_{CC}^2 \times f_o)$ =sum of outputs.

3.3.6. AC Characteristics 3

 $(T_{amb}=-40^{\circ}C$ to $+125^{\circ}C$, $GND=0V$; $t_r=t_f=6$ ns; $C_L=50$ pF, unless otherwise specified)

Parameter	Symbol	Conditions	Min.	Typ.	Max.	Unit	
AiP74HC40103							
propagation delay	t_{pd}	$\overline{\text{CP}}$ to $\overline{\text{TC}}$; see Figure 6 ^[1]	$V_{CC}=2.0V$	-	-	450	ns
			$V_{CC}=4.5V$	-	-	90	ns
			$V_{CC}=6.0V$	-	-	77	ns
		$\overline{\text{TE}}$ to $\overline{\text{TC}}$; see Figure 7	$V_{CC}=2.0V$	-	-	265	ns
			$V_{CC}=4.5V$	-	-	53	ns
			$V_{CC}=6.0V$	-	-	45	ns
		$\overline{\text{PL}}$ to $\overline{\text{TC}}$; see Figure 8	$V_{CC}=2.0V$	-	-	475	ns
			$V_{CC}=4.5V$	-	-	95	ns
			$V_{CC}=6.0V$	-	-	81	ns
HIGH to LOW propagation delay	t_{PHL}	$\overline{\text{MR}}$ to $\overline{\text{TC}}$; see Figure 8	$V_{CC}=2.0V$	-	-	415	ns
			$V_{CC}=4.5V$	-	-	83	ns
			$V_{CC}=6.0V$	-	-	71	ns
transition time	t_t	see Figure 7 ^[2]	$V_{CC}=2.0V$	-	-	110	ns
			$V_{CC}=4.5V$	-	-	22	ns
			$V_{CC}=6.0V$	-	-	19	ns
pulse width	t_w	$\overline{\text{CP}}$ HIGH or LOW; see Figure 6	$V_{CC}=2.0V$	250	-	-	ns
			$V_{CC}=4.5V$	50	-	-	ns
			$V_{CC}=6.0V$	43	-	-	ns
		$\overline{\text{MR}}$ LOW; see Figure 8	$V_{CC}=2.0V$	190	-	-	ns
			$V_{CC}=4.5V$	38	-	-	ns
			$V_{CC}=6.0V$	32	-	-	ns
		$\overline{\text{PL}}$ LOW;	$V_{CC}=2.0V$	190	-	-	ns



		see Figure 8	$V_{CC}=4.5V$	38	-	-	ns
			$V_{CC}=6.0V$	32	-	-	ns
recovery time	t_{rec}	\overline{MR} to CP, \overline{PL} to CP; see Figure 9	$V_{CC}=2.0V$	132	-	-	ns
			$V_{CC}=4.5V$	26	-	-	ns
			$V_{CC}=6.0V$	24	-	-	ns
set-up time	t_{su}	\overline{PE} to CP; see Figure 10	$V_{CC}=2.0V$	110	-	-	ns
			$V_{CC}=4.5V$	22	-	-	ns
			$V_{CC}=6.0V$	19	-	-	ns
		\overline{TE} to CP; see Figure 11	$V_{CC}=2.0V$	225	-	-	ns
			$V_{CC}=4.5V$	45	-	-	ns
			$V_{CC}=6.0V$	38	-	-	ns
		Pn to CP; see Figure 10	$V_{CC}=2.0V$	110	-	-	ns
			$V_{CC}=4.5V$	22	-	-	ns
			$V_{CC}=6.0V$	19	-	-	ns
hold time	t_h	\overline{PE} to CP; see Figure 10	$V_{CC}=2.0V$	0	-	-	ns
			$V_{CC}=4.5V$	0	-	-	ns
			$V_{CC}=6.0V$	0	-	-	ns
		\overline{TE} to CP; see Figure 11	$V_{CC}=2.0V$	0	-	-	ns
			$V_{CC}=4.5V$	0	-	-	ns
			$V_{CC}=6.0V$	0	-	-	ns
		Pn to CP; see Figure 10	$V_{CC}=2.0V$	0	-	-	ns
			$V_{CC}=4.5V$	0	-	-	ns
			$V_{CC}=6.0V$	0	-	-	ns
maximum frequency	f_{max}	see Figure 6	$V_{CC}=2.0V$	2.0	-	-	MHz
			$V_{CC}=4.5V$	10	-	-	MHz
			$V_{CC}=6.0V$	12	-	-	MHz
AiP74HCT40103							
propagation delay	t_{pd}	CP to \overline{TC} ; see Figure 6 ^[1]	$V_{CC}=4.5V$	-	-	90	ns
		\overline{TE} to \overline{TC} ; see Figure 7	$V_{CC}=4.5V$	-	-	60	ns
		\overline{PL} to \overline{TC} ; see Figure 8	$V_{CC}=4.5V$	-	-	112	ns
HIGH to LOW propagation delay	t_{PHL}	\overline{MR} to \overline{TC} ; see Figure 8	$V_{CC}=4.5V$	-	-	83	ns
transition time	t_t	see Figure 7 ^[2]	$V_{CC}=4.5V$	-	-	22	ns
pulse width	t_w	CP HIGH or LOW; see Figure 6	$V_{CC}=4.5V$	50	-	-	ns
		\overline{MR} LOW; see Figure 8	$V_{CC}=4.5V$	45	-	-	ns
		\overline{PL} LOW; see Figure 8	$V_{CC}=4.5V$	57	-	-	ns
recovery time	t_{rec}	\overline{MR} to CP, \overline{PL} to CP; see Figure 9	$V_{CC}=4.5V$	26	-	-	ns



set-up time	t_{su}	\overline{PE} to CP; see Figure 10	$V_{CC}=4.5V$	30	-	-	ns
		\overline{TE} to CP; see Figure 11	$V_{CC}=4.5V$	60	-	-	ns
		Pn to CP; see Figure 10	$V_{CC}=4.5V$	30	-	-	ns
hold time	t_h	\overline{PE} to CP; see Figure 10	$V_{CC}=4.5V$	2	-	-	ns
		\overline{TE} to CP; see Figure 11	$V_{CC}=4.5V$	0	-	-	ns
		Pn to CP; see Figure 10	$V_{CC}=4.5V$	0	-	-	ns
maximum frequency	f_{max}	see Figure 6;	$V_{CC}=4.5V$	10	-	-	MHz

Note:

[1] t_{pd} is the same as t_{PHL} , t_{PLH} .

[2] t_i is the same as t_{THL} , t_{TLH} .

[3] C_{PD} is used to determine the dynamic power dissipation (P_D in uW).

$P_D=C_{PD} \times V_{CC}^2 \times f_i \times N + \sum(C_L \times V_{CC}^2 \times f_o)$ where:

f_i =input frequency in MHz;

f_o =output frequency in MHz;

C_L =output load capacitance in pF;

V_{CC} =supply voltage in V;

N =number of inputs switching;

$\sum(C_L \times V_{CC}^2 \times f_o)$ =sum of outputs.

4、Testing Circuit

4.1、AC Testing Waveforms

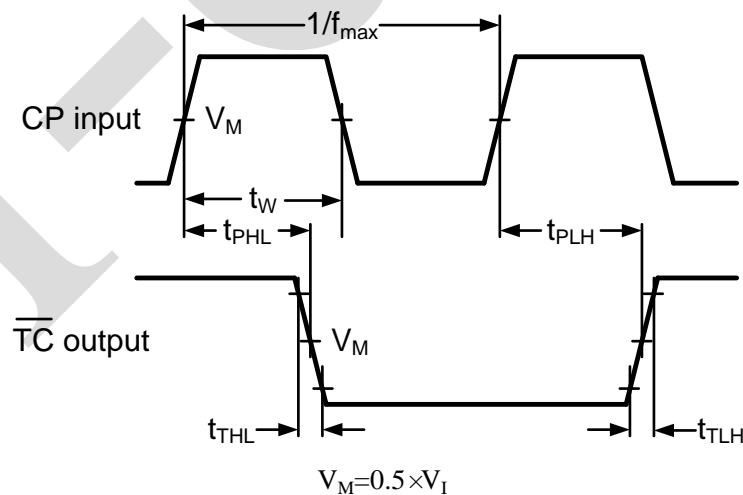


Figure 6. Waveforms showing the clock input (CP) to \overline{TC} propagation delays, the clock pulse width, the output transition times and the maximum clock pulse frequency

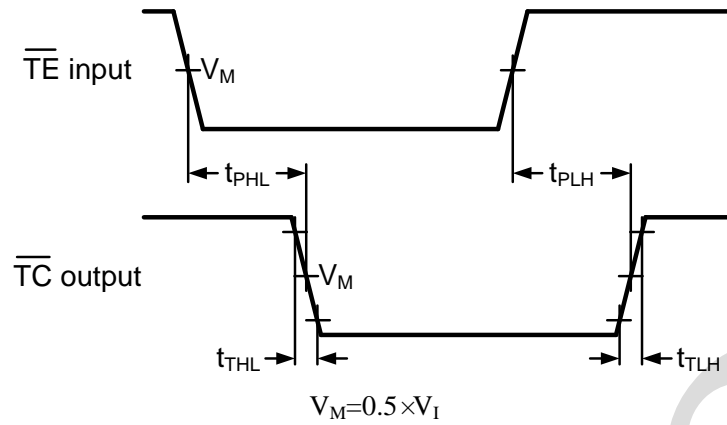


Figure 7. Waveforms showing the \overline{TE} to \overline{TC} propagation delays

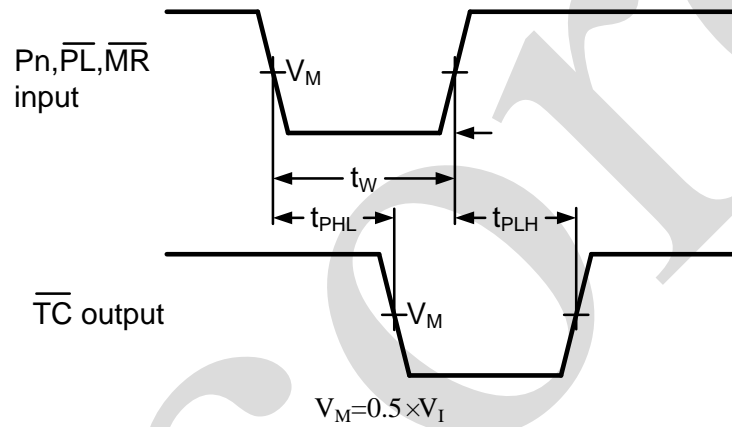


Figure 8. Waveforms showing \overline{PL} , \overline{MR} , P_n to \overline{TC} propagation delays

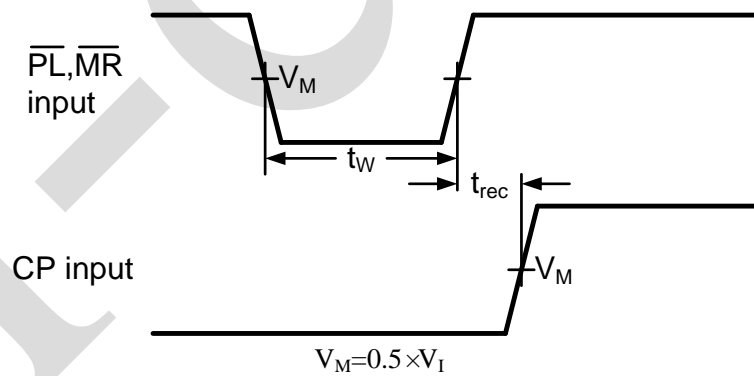
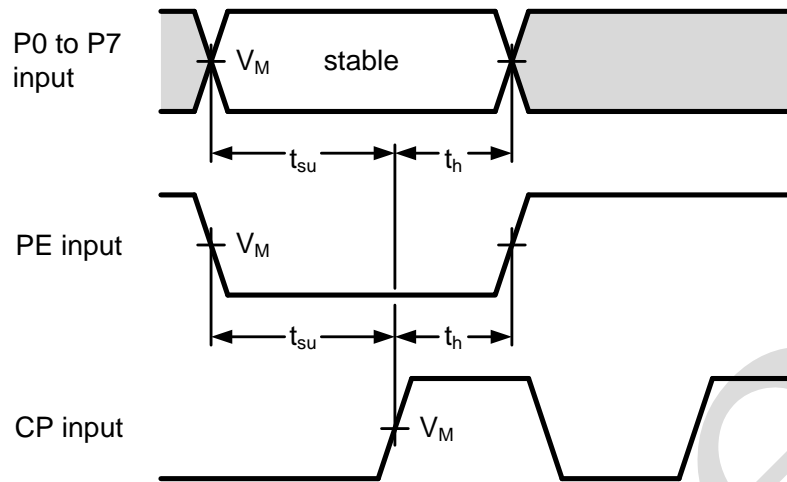


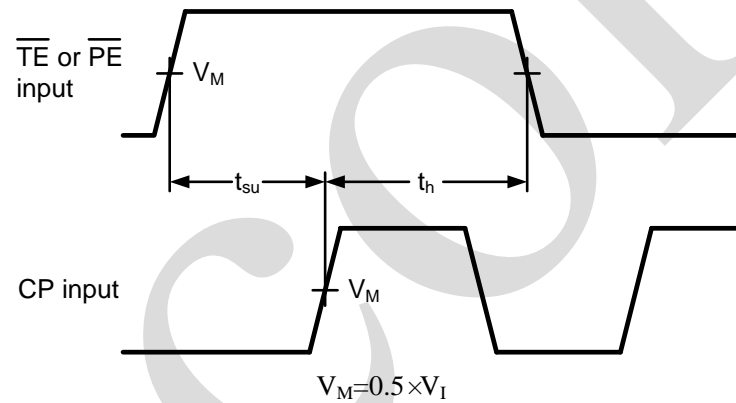
Figure 9. Waveforms showing removal time for \overline{MR} and \overline{PL}



The shaded areas indicate when the input is permitted to change for predictable output performance.

$$V_M = 0.5 \times V_I$$

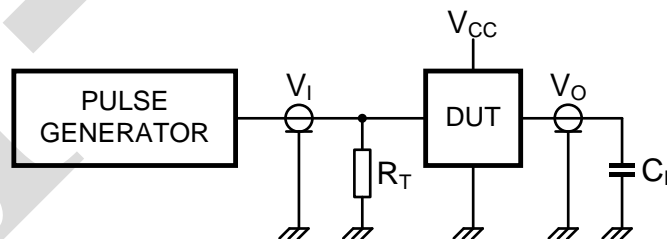
Figure 10. Waveforms showing hold and set-up times for Pn, PE to CP



$$V_M = 0.5 \times V_I$$

Figure 11. Waveforms showing hold and set-up times for MR or PE to CP

4.2、 AC Testing Circuit



Definitions for test circuit:

R_T = Termination resistance should be equal to output impedance Z_o of the pulse generator.

C_L = Load capacitance including jig and probe capacitance.

Figure 12. Test circuit for measuring switching times



4.3、 Test Data

Supply	Input		Load
V_{CC}	V_I	t_r, t_f	C_L
2.0V	V_{CC}	6ns	50pF
4.5V	V_{CC}	6ns	50pF
5.0V	V_{CC}	6ns	15pF
6.0V	V_{CC}	6ns	50pF

5、 Typical Application Circuit And Application Note

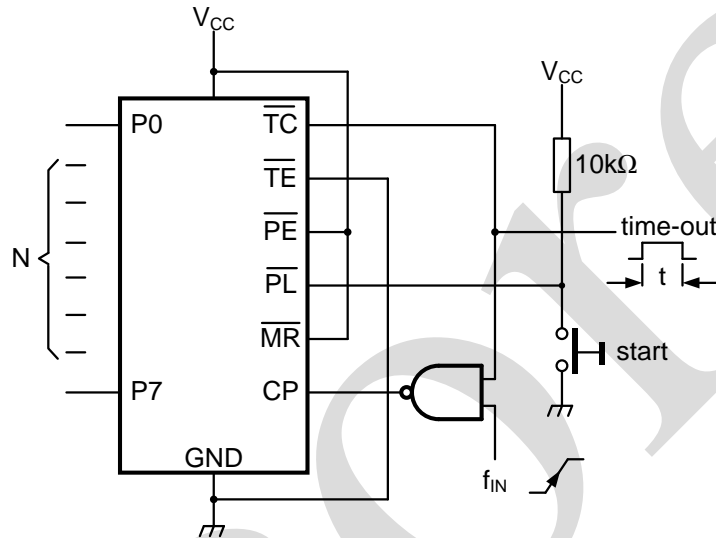


Figure 13. Programmable timer

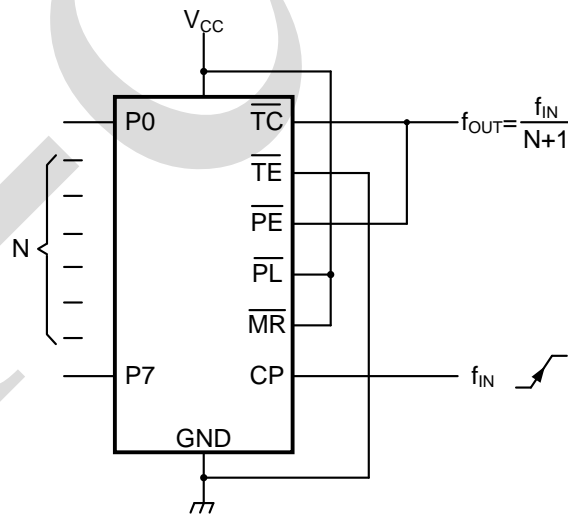
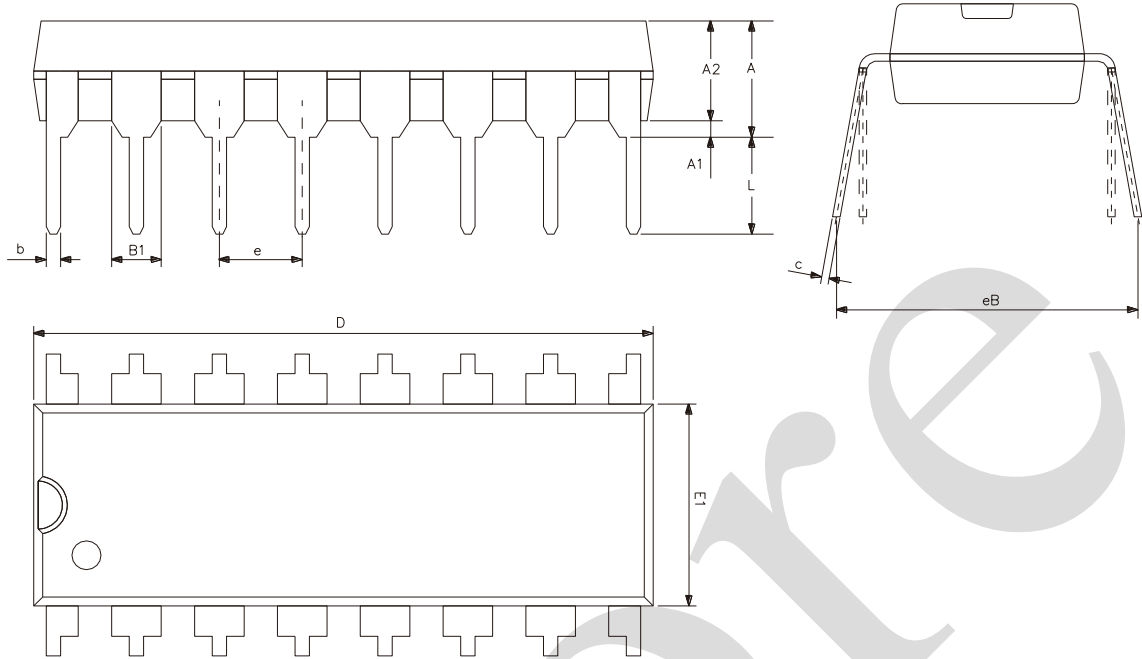


Figure 14. Divide-by-N counter



6、 Package Information

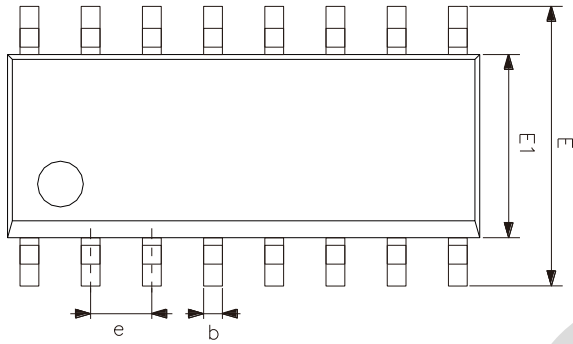
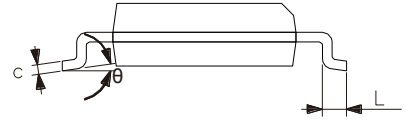
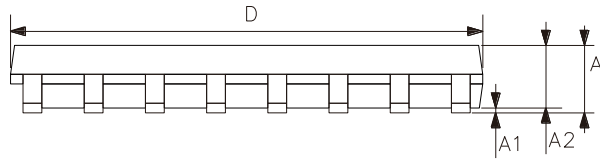
6.1、 DIP16



Symbol	Dimensions (mm)	
	Min.	Max.
A2	3.20	3.60
A1	0.51	-
A	3.60	5.33
L	3.00	3.60
b	0.36	0.56
B1	1.52	
D	18.80	19.94
E1	6.20	6.60
e	2.54	
c	0.20	0.36
eB	7.62	9.30



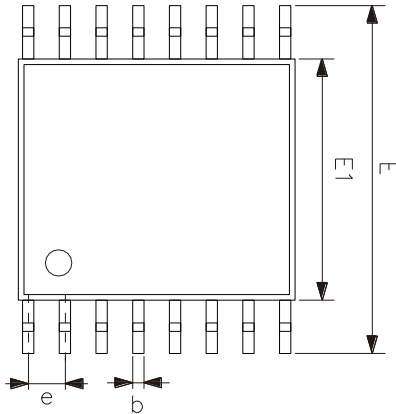
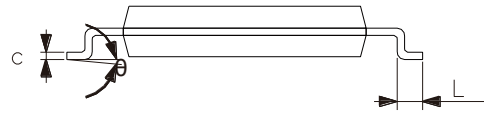
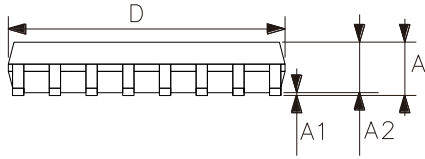
6.2、SOP16



Symbol	Dimensions (mm)	
	Min.	Max.
A	1.35	1.80
A1	0.10	0.25
A2	1.25	1.55
b	0.33	0.51
c	0.19	0.25
D	9.50	10.10
E	5.80	6.30
E1	3.70	4.10
e	1.27	
L	0.35	0.89
θ	0°	8°



6.3. TSSOP16



Symbol	Dimensions (mm)	
	Min.	Max.
A	-	1.20
A1	0.05	0.15
A2	0.80	1.05
b	0.19	0.30
c	0.09	0.20
D	4.90	5.10
E1	4.30	4.50
E	6.20	6.60
e	0.65	
L	0.45	0.75
θ	0°	8°



7、 Statements And Notes

7.1、 The name and content of Hazardous substances or Elements in the product

Part name	Hazardous substances or Elements									
	Lead and lead compounds	Mercury and mercury compounds	Cadmium and cadmium compounds	Hexavalent chromium compounds	Polybrominated biphenyls	Polybrominated biphenyl ethers	Dibutyl phthalate	Butylbenzyl phthalate	Di-2-ethylhexyl phthalate	Diisobutyl phthalate
Lead frame	○	○	○	○	○	○	○	○	○	○
Plastic resin	○	○	○	○	○	○	○	○	○	○
Chip	○	○	○	○	○	○	○	○	○	○
The lead	○	○	○	○	○	○	○	○	○	○
Plastic sheet installed	○	○	○	○	○	○	○	○	○	○
explanation	○: Indicates that the content of hazardous substances or elements in the detection limit of the following the SJ/T11363-2006 standard. ×: Indicates that the content of hazardous substances or elements exceeding the SJ/T11363-2006 Standard limit requirements.									

7.2、 Notes

We Recommend you to read this chapter carefully before using this product.

The information in this chapter is provided for reference only and i-Core disclaims any express or implied warranties, including but not limited to applicability, special application or non-infringement of third party rights.

This product is not suitable for critical equipment such as life-saving, life-sustaining or safety equipment. It is also not suitable for applications that may result in personal injury, death, or serious property or environmental damage due to product malfunction or failure. I-Core will not be liable for any damages incurred by the customers at their own risk for such applications.

The customer is responsible for conducting all necessary tests i-Core's application to avoid failure in the application or the application of the customer's third party users. I-Core does not accept any liability.

The Company reserves the right to change or improve the information published in this chapter at any time.

The information in this chapter are subject to change without notice. We recommend the customer to consult our sales staff before purchasing.

Please obtain related materials form i-Core's regular channels and we are not responsible for its content if it is provided by sources other than our company.

In case of any conflict between the Chinese and English version, the version is subject to the Chinese one.